

Differential pressure transmitter PASCAL Ci4 Delta P

for diaphragm seal operation

Type series CI4330



Application area

- General process engineering
- Chemical and petrochemical industry
- General process technology

Features

- Differential pressure transmitter for diaphragm seal operation
- Stainless steel case in sturdy design, degree of protection IP 65/67
- Accuracy 0.1 %
- High-resolution display with intuitive 4-button operation and backlight
- Comprehensive parameterising functions
- Comprehensive simulation and diagnostic functions
- Quick access to device data
- Development according to SIL2
- Nominal ranges 0.25 to 16 bar
- Turndown up to 100:1
- Measuring rate up to 100 Hz
- Output signal 4...20 mA with HART® protocol
- Configuration memory
- Digital communication via PDM, FDT/DTM, 375/475 Field Communicator
- Output functions: linear, invers, square root, table function with up to 64 support points
- Media temperature -90...400 °C
- Wetted parts stainless steel
- Various process connections with diaphragm seal technology
- Approved according to NAMUR 95
- EAC declaration (upon request)

Options

- Approvals/Certificates
 - Explosion protection for gases and dust
 - Classification per SIL2
 - Certificate of measuring equipment for Russian Federation
 - Material certificate per EN 10204
 - Calibration certificate per EN 10204
- Removable display and control unit
- Degree of protection IP 69K

Application

The digital differential pressure transmitter PASCAL Ci4 Delta P has been specially designed for the mounting of diaphragm seals with a volume reduced differential pressure chamber. Due to this design the transmitter is suitable for various applications, e.g. for the level measurement of pressure vessels.

Technical data

Measuring ranges

Up to a turndown of 100:1 the measuring span can be freely selected.

Nominal range	Measuring span		Overload capacity		Static excess pressure both sides
	min. span	max. span	plus-side	minus-side	
0.25 bar	0.0025 bar	0.5 bar	10 bar	5 bar	75 bar
1 bar	0.01 bar	2 bar	20 bar	10 bar	75 bar
4 bar	0.04 bar	5 bar	50 bar	25 bar	75 bar
16 bar	0.16 bar	17 bar	100 bar	75 bar	100 bar
40 bar	0.4 bar	41 bar	100 bar	75 bar	100 bar

Constructional design / case

Design: Two-chamber case, continuously rotatable by $\pm 170^\circ$
Case surface blasted

Material case:

- Stainless steel mat.no. 1.4301/1.4305 (304/303)
- Stainless steel mat.no. 1.4404 (316L)

Material front cover:

- Stainless steel mat.no. 1.4305 (303)
- Stainless steel mat.no. 1.4404 (316L)
- Polypropylene, black

Gaskets: Silicone / NBR

Degree of protection per EN 60529: IP 65 / IP 67
Option: IP 69K

Climatic category per EN 60721 3-4: 4K4H

Vibration resistance per EN 61298-3: 10...60 Hz: ± 0.35 mm
60...1000 Hz: 5 g

Material window:

- Macrolon
- Non-splintering glass (requires front cover of stainless steel)

Elec. connection:

- Circular connector M12
- Cable gland M16x1.5, PA black
- Cable gland M16x1.5, stainless steel
- Cable gland M20x1.5, PA black
- Cable gland M20x1.5, stainless steel
- 1/2" NPT, PA black

Further connections upon request

Terminal blocks:

- Spring clamp terminals up to 1.5 mm²
- Pole terminals up to 2.5 mm²
- Screw terminals up to 2.5 mm²

Weight: approx. 1.4 kg (without diaphragm seal)

Type plate: Laser marking

Process connection

Design: Volume reduced differential pressure chamber, suitable for the direct mounting of diaphragm seals with capillary connection.
Diaphragm seals see product group D5.

Material wetted parts

Material: see product group D5

Measuring system

Sensor: piezoresistive

System filling: Due to the application there are different system fillings available, see Technical Instruction TA_031.

Accuracy

Reference cond. per EN 61298-1:

- $T_U = \text{const. (15...25) } ^\circ\text{C}$
- $\varphi = \text{const. (45...75) \% r.F.}$
- $p_U = \text{const. (860...1060) mbar}$
- $U_B = 24 \text{ V DC } (\pm 3 \text{ V DC})$
- $R_B = 50 \text{ } \Omega$, HART: 250 Ω
- Ground connected
- MBA = 0 bar

Calibration position: Process connection bottom: vertical

Deviation of characteristic: Refer to the adjusted measuring span (Limit point method per DIN 16086)

Nominal range 1-40 bar

Turndown 5:1 0.1 %

Turndown > 5:1 0.02 % x TD

Nominal range 0.25 bar

Turndown 5:1 0.15 %

Turndown > 5:1 0.03 % x TD

Long-term drift: Refer to nominal range ≤ 0.1 %/year

Operational availability < 12 s

Response time t_{90} at current output for 20 Hz measuring rate: typically 120 ms
for 100 Hz measuring rate: typically 50 ms

Temperature influence, case: Refer to nominal range
Ambient temperature -20...80 °C:

Nominal range 1-40 bar 0.1 %/10K, max. 0.3 %

Nominal range 0.25 bar 0.15 %/10K, max. 0.4 %

Ambient temperature -40...-20 °C:

Typical 0.2 %/10K

Temperature influence, process connection: The temperature influence depends on several parameters, e.g. diaphragm diameter, diaphragm material, capillary length, capillary diameter, system filling, etc.
We provide a detailed error analysis upon request.

Influence static pressure: Refer to nominal range

0.25 bar	0.12 % x stat. pressure [bar] x TD
1 bar	0.03 % x stat. pressure [bar] x TD
4 bar	0.02 % x stat. pressure [bar] x TD
16 bar	0.002 % x stat. pressure [bar] x TD
40 bar	0.001 % x stat. pressure [bar] x TD

Indication

Display:

- High-resolution graphic display with backlight
- 4-button operation
- Freely configurable display modes
- continuously rotatable by ± 170 (detent every 90°)
- Optional: Remote display and control unit, can be used up to 10 m away from measuring point

Configuration memory:

- All parameterisation data can be copied from the device into the configuration memory in the display module. The data is permanently stored there, even in the event of power failure.
- The parameters can be transferred simply and quickly to other devices.

Output

Signal:	2-wire technology	4...20 mA
	Lower limit	3.8...4 mA
	Upper limit	20...21 mA
	Lower alarm current	< 3.6 mA
	Upper alarm current	> 21 mA
	Current limitation	22 mA
	Digital communication:	HART® protocol, version 7

Device driver:

- EDD für SIMATIC PDM
- DTM for PACTware or compatible systems (FDT compliance)
- EDD for 375 / 475 Field Communicator

Function:

- linear
- inverse response
- by square root
- table function with up to 64 support points

Turndown: Max. 100:1

Damping: 0...999.9 s selectable in steps of 0.1 s

Measuring rate: 20 Hz, switchable to 100 Hz

Resolution: 1 μ A

Current sensing func.: 3.55...21.5 mA selectable in steps of 0.001 mA

Load R: $R \leq (U-12V DC)/0.022 A [\Omega]$
U = supply voltage
for HART® communication $R \geq 230 \Omega$

Supply voltage

Functional range: 12...30 V DC, protected against polarity reversal

Ripple: < 5 %

Temperature ranges

Ambient: -40...80 °C
(Display visibility is limited at temperatures below -30 °C)

Media: -90...400 °C*

Storage: -40...80 °C

* depending on the design of the diaphragm seal and the system filling

Tests and certificates

Ex approvals

ATEX: TÜV 13 ATEX 120264 X
Ⓢ II 1/2G Ex ia IIC TX Ga/Gb
Ⓢ II 1/2D Ex ia IIIC Txx °C Da/Db
Ⓢ II 2G Ex ia IIC TX Gb
Ⓢ II 2D Ex ia IIIC Txx °C Db

IECEX: IECEX TUN 13.0018X
Ex ia IIC TX Ga/Gb
Ex ia IIIC Txx °C Da/Db
Ex ia IIC TX Gb
Ex ia IIIC Txx °C Db

For more detailed information see Ex Safety Instruction XA_011.

EMC : per EN 61326-1, NAMUR NE21

SIL 2: Functional safety per EN 61508, classification per SIL2
For detailed information see SIL instruction SA_001

NAMUR: Approved according to NE95,
Test report TP14033 available upon request

- EAC declaration upon request
- Certificate of measuring equipment for Russian Federation

Parameterisation, simulation and adjustment

Parameterisation

Parameter	Values	Default setting
Device		
device ID	16 digits, freely selectable	LABOM PASCAL Ci4
lower range value	at any value within nominal range	0 bar
upper range value	at any value within nominal range	end of nominal range
measuring rate	20 Hz, 100 Hz	20 Hz
damping	0.0...999.9 s	0.0 s
Display and control unit		
pressure unit	mbar, bar, Pa, hPa, kPa, MPa, g/cm ² , kg/cm ² , psi, atm, torr, mmH ₂ O, mH ₂ O, inH ₂ O, ftH ₂ O, mmHg, inHg	bar
temperature unit	°C, °F, °R, K	°C
lighting	on, off	on
language	English, German	German
	English, Chinese	as ordered
	English, Spanish, French	as ordered
	English, Polish, German	as ordered
	English, Turkish, German	as ordered
decimal point	auto, x.xxxx, xx.xxx, xxx.xx, xxxx.x, xxxxx	auto
display mode	five values, four values, three values, two values, big display	four values
main value	pressure, current in %, current in mA	pressure
secondary values	pressure, current in %, current in mA, sensor temperature, device ID, HART-TAG, HART-Descriptor, <empty>	current in %, current in mA, device ID
Current output		
output function	linear, inverse response, by square root, table function	linear
lower current limit	3.8...4.0 mA	3.8 mA
upper current limit	20...21 mA	20.5 mA
alarm current	low (<3.6 mA), high (> 21.0 mA)	low (<3.6 mA)
position correction (mounting position)	on, off	off
Maintenance counter		
maintenance interval	0...9999 days	0 days
status	on, off	off
HART data		
HART address	0...63	0
number of response preambels	5...20	5
current mode	proportional, constant	proportional

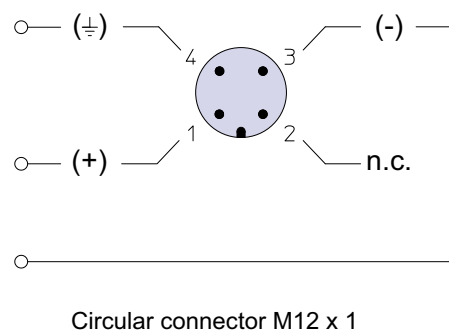
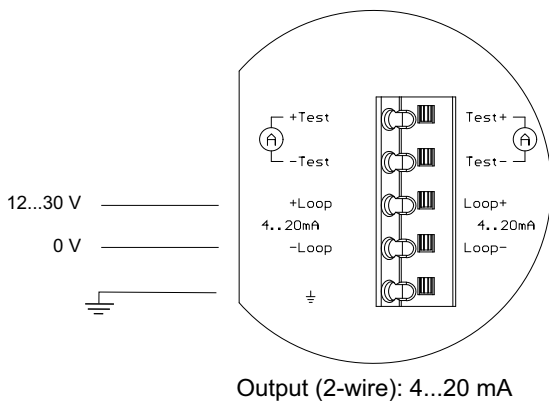
Diagnostic functions

Self- diagnosis	Description	Value range
RAM-Test	Permanent check of the read/write memory	/
ROM-Test	Permanent check of the checksum via the program memory	/
Bridge circuit test	Permanent check of the bridge circuit	/
CRC parameterisation test	Permanent check of the checksum via the parameter memory	/
Electronics temperature monitoring	Permanent check of the electronics temperature	/
Process diagnostics		
Maintenance timer	Check of the maintenance cycles	/
Operating hours counter	Capture of operating hours	/
Min/Max values	Check of minimum and maximum process pressure and sensor temperature	/
Measuring circuit diagnostics		
loop-test	Setting of a fixed current value at the output	3,55...21,5 mA
pressure simulation	Setting a fixed pressure value, it also considers dampingk and tabular function unlike the current simulation	Nominal range

Adjustment

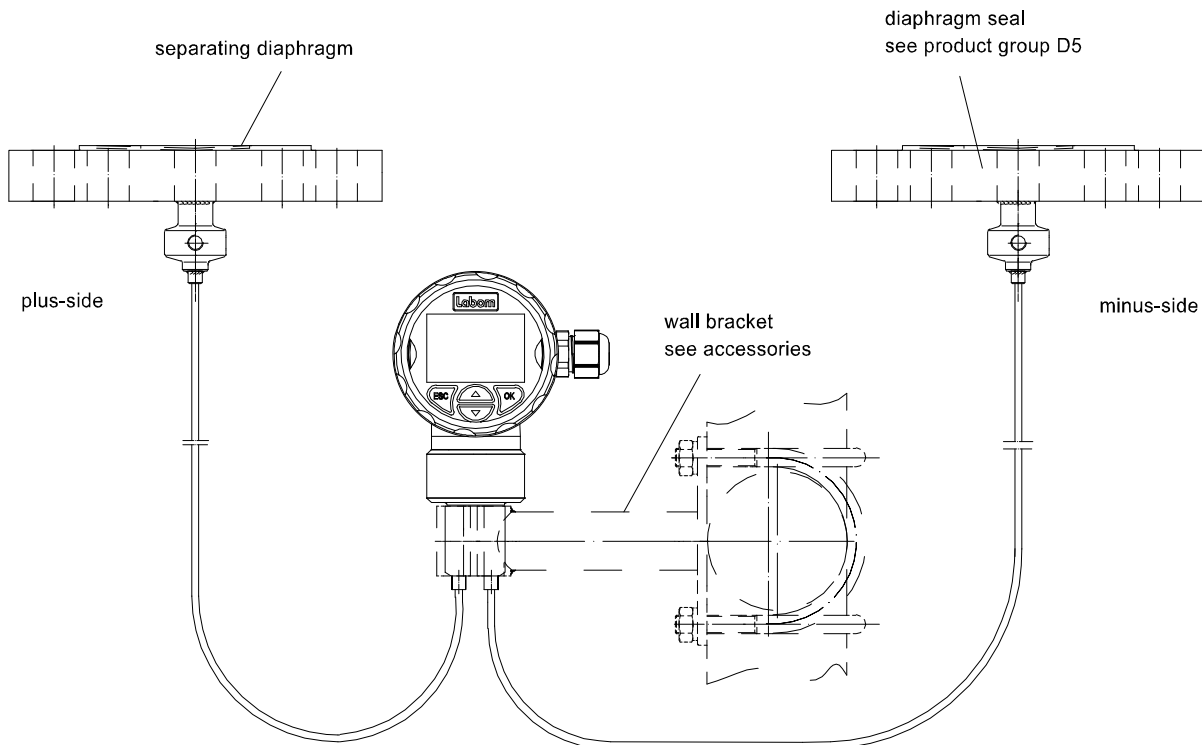
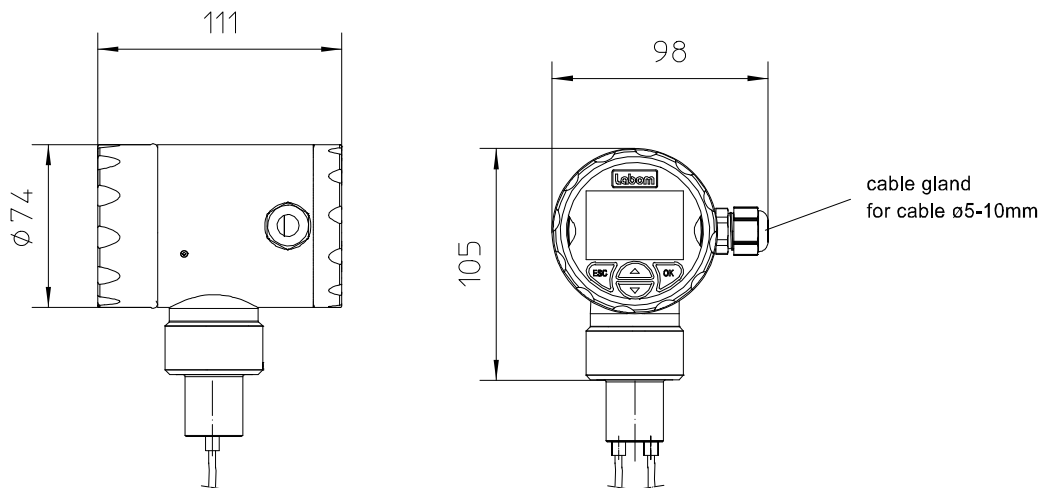
Type	Description
zero point correction	adjusts reading to 0 bar at same pressure on both connections
position correction	adjusts reading of mounted instrument to 0 bar at same pressure on both connections
lower adjustment	adjusts reading to applied pressure (affects zero point + span)
upper adjustment	adjusts reading to applied pressure (affects span only)
current adjustment	adjusts current output to achieve 4 resp. 20 mA at the end of the measurement chain

Connection diagram



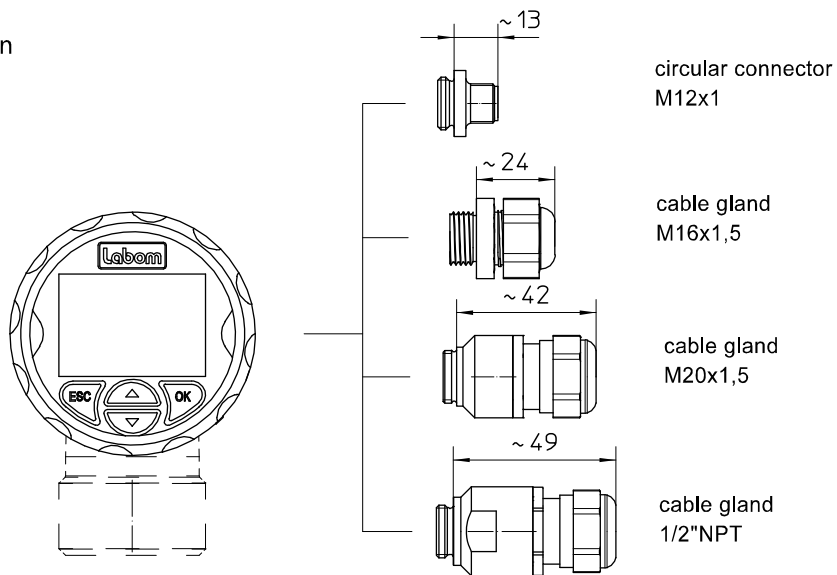
Dimensions

Case and process connections



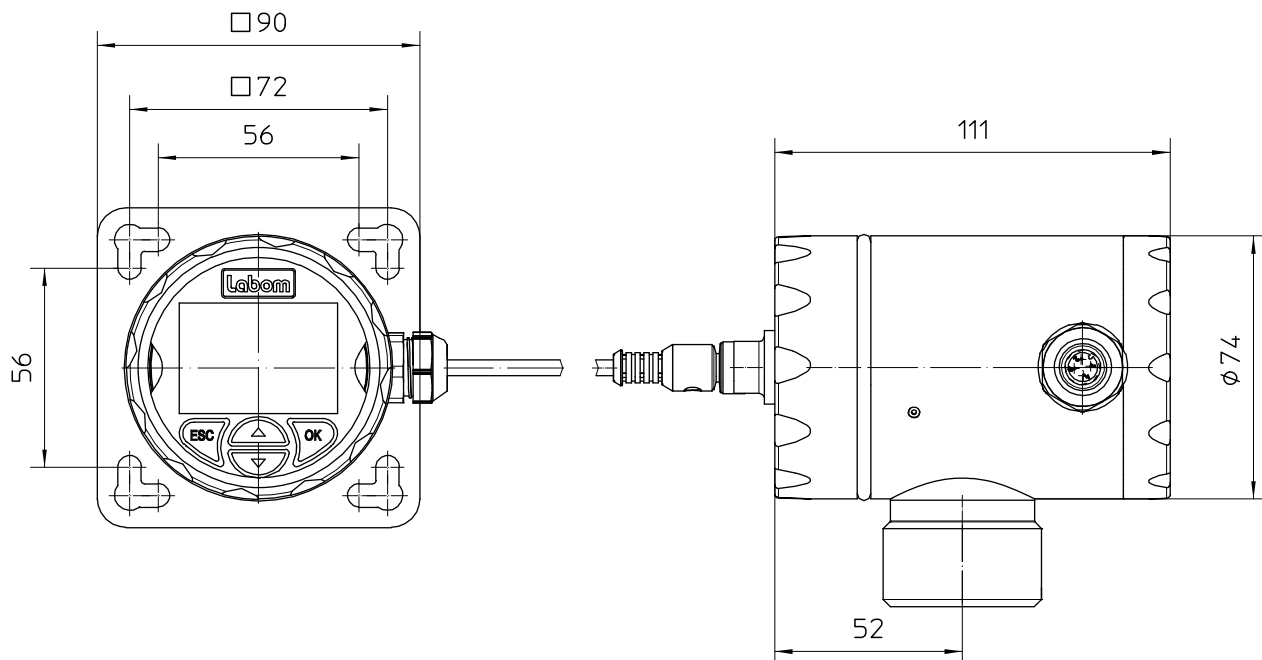
All dimensions are in mm

Electrical connection



all dimensions are in mm

Remote display and control unit (Type series MC1140)

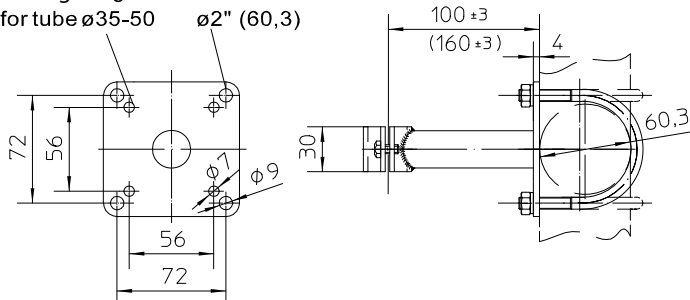


All dimensions are in mm

Wall bracket for wall and pipe mounting (Type series MM1110)

drilling diagram

for tube $\varnothing 35-50$



All dimensions are in mm

Order details

Differential pressure transmitter PASCAL Ci4 Delta P for diaphragm seal operation Type series CI4330

Order details PASCAL Ci4 Delta P CI4330				
CI4330	Differential pressure transmitter	PASCAL Ci4 Delta P for diaphragm seal operation		
A1078	measuring range	0.25 bar		
A1053		1 bar		
A1056		4 bar		
A1059		16 bar		
A1061		40 bar		
F1	parameterisation	factory settings (standard)		
F2		as per customer's specification (pls. specify)		
H21	output signal	4...20 mA, with HART-protocol		
Y1.	material case	stainless steel mat.-no. 1.4301/1.4305 (304/303)		
Y2.		stainless steel mat.-no. 1.4404 (316L)		
1		polypropylene (black), window Macrolon		
2	material front cover	stainless steel (see case), window non-splintering glass		
3		stainless steel (see case), closed, without window		
			default language	available language
	display	high-resolution graphic display with backlight, intuitive 4-button operation, quick access to device data	German (standard)	English, German
M21.1			English	
M22.1			English	English, Chinese
M22.2			Chinese	
M23.1			English	English, Spanish, French
M23.2			Spanish	
M23.3			French	
M25.1			English	English, Polish, German
M25.2			Polish	
M25.3			German	
M26.1			English	English, Turkish, German
M26.2			Turkish	
M26			German	
M13			without display	
T20.	electrical connection	cable gland	M16 x 1.5 polyamide, for cable Ø 4.5-10	
T22.			M16 x 1.5 stainless steel, for cable Ø 5-9.5 mm	
T15.			M20 x 1.5 polyamide, for cable Ø 7-13 mm	
T17.			M20 x 1.5 stainless steel, for cable Ø 8-13 mm	
T27.			1/2" NPT polyamide, for cable Ø 6-12 mm	
0			cable clamps	spring clamp terminals up to 1.5 mm ²
5	pole terminals 2.5 mm ²			
6	screw terminals 2.5 mm ²			
T30	circular connector M12 x 1 (4-polig)			
Process connections (diaphragm seal) see product group D5				

Additional features (to be indicated if required)				
S62	Ex marking ¹	ATEX	⊕ II 1/2G, II 2G Ex ia IIC TX Ga/Gb, Gb	
			⊕ II 1/2D, II 2D Ex ia IIIC Txx °C Da/Db, Db	
S77		IECEX	Ex ia IIC TX Ga/Gb, Gb	
			Ex ia IIIC Txx °C Da/Db, Db	
T4	degree of protection	IP 69K ¹		
W1020	material certificate	per DIN EN 10204-3.1, wetted parts		
W1201	calibration certificate	per DIN EN 10204-3.1, 5 measuring points		
W2602	functional safety per EN 61508, classification per SIL2			
W2673	certificate of measuring equipment for Russian Federation ²			

Accessories		
MM1110	Device bracket per DIN 16281, model A, for wall and pipe-mounting, stainless steel mat.-no. 1.4571 (316Ti)	
A10	design	for wall mounting
A11		for pipe diameter 35-50 mm
A12		for pipe diameter 2" (60,3 mm)
MC1140	PASCAL Ci4 remote display and control unit including device holder	
	material stainless steel, incl. front ring with seal and blind cap with circular connector M12x1	
A1.	connection cable	length: 10 m, material: PUR, with circular connector M12 x1 (further lengths upon request)
1	internal cable clamps	spring clamp terminals up to 1.5 mm ²
2		pole terminals 2.5 mm ²
3		screw terminals 2.5 mm ²
T1	degree of protection	IP 65 / IP 67 (standard)
MZ8120-A11	mounting set for device holder	2 mounting brackets for pipe and frame mounting Ø 30-50 mm, incl. nuts and washers
MZ8120-A12		2 mounting brackets for pipe and frame mounting Ø 40-64 mm, incl. nuts and washers
MC1020	HART-Modem	RS 232 -interface
MC1040		USB-interface
MC1041		USB-interface, Ex

Order detail (example): **CI4330 – A1056 – F1 – H21 – Y12 – T200 – - - ...**

¹ Requires front cover of stainless steel