

Body: two way form, for water and steam
Pressure range: PN16, PN25, PN40
Immersion length acc. to DIN EN 558, basic series 1
Flanges acc. to DIN EN 1092-1/2 type 21
Spindle sealing: spring-loaded PTFE-V-ring unit
for media temperatures up to 250°C
Alternatively: graphite-packing
for media temperatures up to 400°C
Internal parts: stainless steel, replaceable seat rings
Flow characteristic: equal percentage (partially modified)
Positioning ratio: 30:1 (up to 50:1)
Leakage: < 0,01% Kvs

Actuator: with manual emergency operation
and load dependent limit switches
Thrust: 8 kN / 34 VA (appendix ...e)
12 kN / 34 VA (appendix ...f)
15 kN / 50 VA (appendix ...h)
Power supply: 230V / 50Hz
Alternatively: 230V / 60Hz (appendix ...e6/f6/h6)
Other voltages: 115V 50/60Hz, 24V 50/60Hz,
24V DC, 400V 3Ph. on request
Motor rating standard acc. to DIN EN 60034-1: S4-30%ED - 600c/h
Protection class acc. to DIN EN 60529: IP65

Accessories, special types:
Add. limit switches load dependent
Add. signal switches travel dependent
Feedback potentiometer
Integrated positioner
Feedback signal 4-20mA / 0-10V
Actuator heater (on request)
Other positioning speed (on request)
Other reduced Kvs- values (on request)
Soft sealing for max. 200°C (on request)
Perforated plug (on request)
Weld-on ends (on request)
Flange drillings acc. to ANSI / JIS (on request)

Order text:
Motor control valve in two way form
Material . . . , PN . . . , DN . . . , Kvs . . .
Spindle sealing with PTFE-V-ring unit
Power supply . . . , closing pressure . . . bar
List-No.: PN16: 421 4 . . H . . , PN25: 421 5 . . H . . , PN40: 421 7 . . H . .
Accessories: . . .

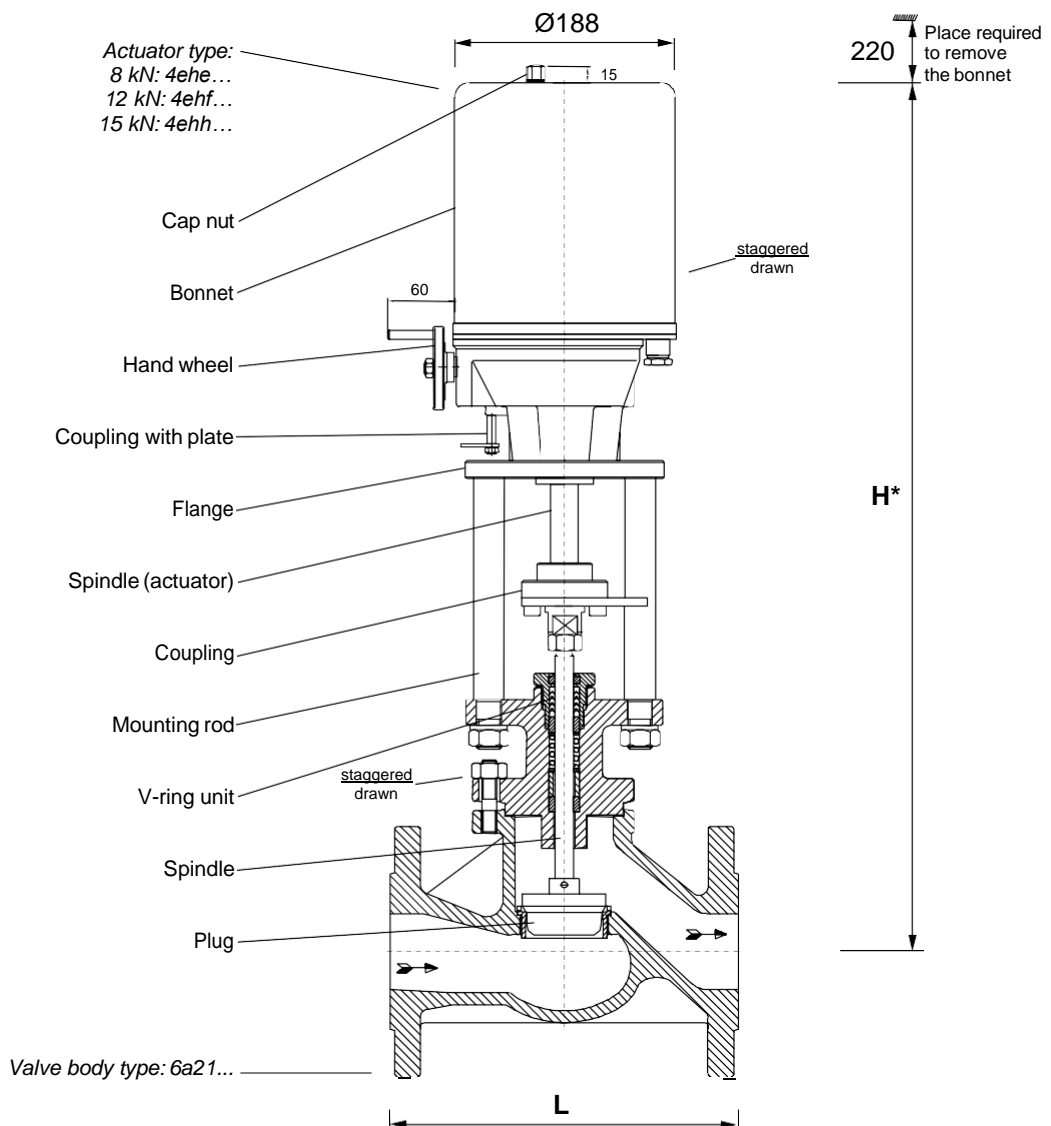
Pressure-temperature ratings acc. to DIN EN 1092-1/2:

by:	-10...50	100	150	200	250	300	350	400	°C*
PN16 EN-GJS-400-18-LT	16	16	15,5	14,7	13,9	12,8	11,2	-	bar
PN25 EN-GJS-400-18-LT	25	25	24,3	23	21,8	20	17,5	-	bar
PN40 GP240GH+N	40	37,3	34,7	30,2	28,4	25,8	24	23,1	bar

* = max. 250°C for spindle sealing with PTFE-V-ring unit

DN	List-No.			Kvs m³/h	Stroke mm	Pos. time sec	Closing pressure (bar)		
	PN16	PN25	PN40				8kN	12kN	15kN
50	421 405H.	421 505H.	421 705H.	40	20	48	34,8	40,0	
	421 455He	421 555He	421 755He	25	20	48	40,0		
	421 475He	421 575He	421 775He	16	20	48	40,0		
65	421 406H.	421 506H.	421 706H.	63	30	72	20,4	31,8	40,0
	421 456H.	421 556H.	421 756H.	40	20	48	34,8	40,0	
	421 476He	421 576He	421 776He	25	20	48	40,0		
80	421 408H.	421 508H.	421 708H.	100	30	72	13,4	21,0	26,6
	421 458H.	421 558H.	421 758H.	63	20	48	20,4	31,8	40,0
	421 478H.	421 578H.	421 778H.	40	20	48	34,8	40,0	
100	421 410H.	421 510H.	421 710H.	160	30	72	8,4	13,3	17,0
	421 460H.	421 560H.	421 760H.	100	30	72	20,4	31,8	40,0
	421 480H.	421 580H.	421 780H.	63	22	53	20,4	31,8	40,0
125	421 412H.	421 512H.		230	60	72	5,2	8,4	10,8
	421 412H._140a	421 512H._140a		140	35	42	8,4	13,3	17,0
	421 412H._100a	421 512H._100a		100	35	42	13,4	21,0	26,6
150	421 415H.	421 515H.		330	60	72	3,5	5,7	7,4
	421 415H._250a	421 515H._250a		250	50	60	5,2	8,4	10,8
	421 415H._150a	421 515H._150a		160	35	42	8,4	13,3	17,0

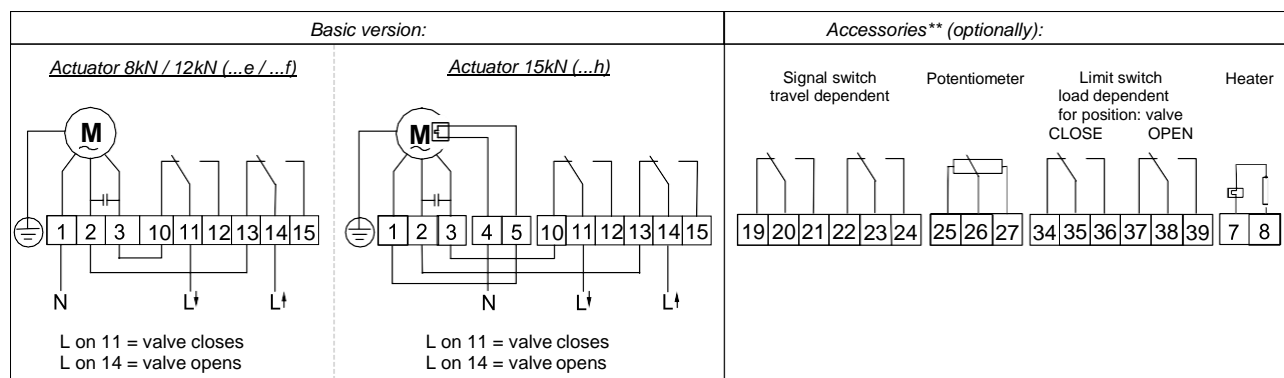




DN	50	65	80	100	125	150
Height H*	625	668	669	676	834	849
Length L	230	290	310	350	400	480
Weight kg	25	39	42	52	104	124

* = additional 20mm for 15kN actuator and 25mm for version with positioner

Electrical wiring 230 /115 /24 V 50/60 Hz:**



** = for other voltages / accessories see wiring diagrams in operating instruction 4eh80_b.