

Micaflex PFCA ver 3.
Pressure- and Flow controller with output for actual value, control and alarm

MF-PFCA
ver 3.x

APPLICATION

MF-PFCA is a programmable microprocessor controlled transmitter/controller for measurement and control of differential pressure or flow. With the four keys on the front panel it is possible to access all functions, make settings and scaling the output signal. The double row, 2x16 character, LCD with backlight displays functions and values.

MOUNTING

MF-PFCA is designed for wall mounting but can be fitted with an optional frame kit, MFM-PANEL, for recessed mounting on wall or through a cabinet door.

OUTPUT SIGNAL

MF-PFCA has two analogue output signals which can be used for pressure, flow or control signal. Each output has three terminals, one for Volt DC, one for mA DC and one common zero. The outputs allow both the Volt and mA signals to be used simultaneously.

If the unit is fitted with built-in automatic zero-setting module MFM-ZP, it is connected to output 2 (Volt or mA). It is still possible to use the free output signal on output 2 for the selected source.

INPUTS

SPD voltage-free contact and SPC 0/2..10 VDC or 0/4...20mA.

SUPPLY VOLTAGE

MF-PFCA is connected to 24 VAC or 20...32 VDC.

ALARM

MF-PFCA has two alarmrelays, each independent of the other. Programmable for pressure or flow, high or low alarm level and for the difference between set point and actual value. Manual or automatic reset.

CERTIFICATE

Traceable certificate of calibration included.



ACCESSORIES:

- Modbus RTU data communication module with RS-485 interface
- Module for automatic zero setting, MFM-ZP
- Separate display unit, OPD, for remote placement up to 10m beyond main unit. Two separate display units can be connected to the same main unit
- Mounting kit for recessed mounting
- Transformer external 230 VAC
- Mono block valve for manual zero setting and control

TECHNICAL DATA:

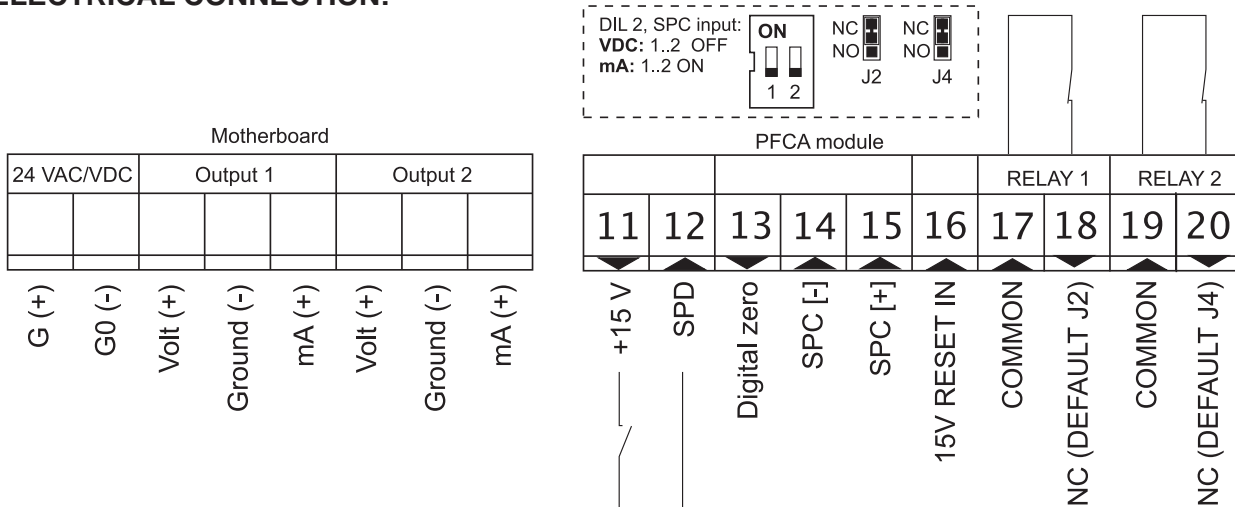
| | |
|---------------------------|---|
| Display: | Alphanumeric LCD 2 row, 2x16 characters with backlight |
| Power supply: | 24 ± 15% VAC 20...32 VDC |
| Pwr consumption: | Max 3 VA (24VAC) |
| Pressure range: | -50...+50 Pa 0...50 Pa 0...100 Pa 0...200 Pa 0...500 Pa 0...1 kPa 0...2 kPa 0...5 kPa other ranges available on request |
| Measurement error: | < ± 0,5 % of the pressure range ± 0,5 Pa |
| Temperature drift: | < ± 0,5 % /10 °C |
| Damping: | 0,0...9,9 sec. |
| Output signal: | Two analogue outputs, 0/2...10 VDC, 0/4...20 mA selectable and scalable. Both mA and Volt output can be used simultaneously |
| Inputs: | SPD voltage-free contact. SPC 0/2..10 VDC, 0/4...20mA |
| Ambient temp: | 0...50°C |

| | |
|------------------------------|---|
| Alarm: | Two separate alarm relays for high & low level and alarm indication with red LED and buzzer (common) |
| Degree of protection: | IP 65, ABS plastic |
| EI-connection: | 1 x 2,5 mm ² / terminal |
| Cable entries: | 4 pcs M16x1.5mm (cable glands not included) |
| Dimensions: | WxHxD = 122x120x90 mm |
| Weight: | 0,86 kg |

EMC/LVD/RoHS II:

AB Micatrone declare under sole responsibility that MF-PFCA is in conformity with the essential requirements in the EMC-, the LVD- and the RoHS II directive. The full text of Manufacturers declaration of conformity is available on Micatrones website.

ELECTRICAL CONNECTION:



AB Micatrone
Aldermansvagen 3
SE-171 48 SOLNA
SWEDEN

Telephone: +46-8-470 25 00

Internet: www.micatrone.com

E-mail: info@micatrone.se

Micaflex PFA ver 3. Pressure- and Flow transmitter with alarm function and control output

MF-PFA ver 3.x

APPLICATION

MF-PFA is a programmable microprocessor controlled transmitter/controller for measurement and control of differential pressure or flow. With the four keys on the front panel it is possible to access all functions, make settings and scaling the output signal. The double row, 2x16 character, LCD with backlight displays functions and values.

MOUNTING

MF-PFA is designed for wall mounting but can be fitted with an optional frame kit, MFM-PANEL, for recessed mounting on wall or through a cabinet door.

OUTPUT SIGNAL

MF-PFA has two analogue output signals which can be used for pressure, flow or control signal. Each output has three terminals, one for Volt DC, one for mA DC and one common zero. The outputs allow both the Volt and mA signals to be used simultaneously. If the unit is fitted with built-in automatic zero-setting module MFM-ZP, it is connected to output 2 (Volt or mA). It is still possible to use the free output signal on output 2 for the selected source.

SUPPLY VOLTAGE

MF-PFA is connected to 24 VAC or 20...32 VDC.

ALARM

MF-PFA has two alarms, each independent of the other. Each alarm has it's own voltage-free changing relay output, acoustic beeper and LED indication for pressure or flow, high or low alarm level and manual or automatic reset.

CERTIFICATE

Traceable certificate of calibration included.



ACCESSORIES:

- Modbus RTU data communication module with RS-485 interface
- Module for automatic zero setting
- Separate display unit for remote placement up to 30m beyond main unit. Two separate display units can be connected to the same main unit
- Mounting kit for recessed mounting
- Transformer external 230 VAC
- Mono block valve for manual zero setting and control

TECHNICAL DATA:

| | |
|------------------------------|---|
| Display: | Alphanumeric LCD 2 row, 2x16 characters with backlight |
| Power supply: | 24 ± 15% VAC 20...32 VDC |
| Pwr consumption: | Max 6,5 VA (24VAC) |
| Pressure range: | -50...+50 Pa 0...100 Pa 0...200 Pa 0...500 Pa 0...1 kPa 0...2 kPa 0...5 kPa other ranges available on request |
| Measurement error: | < ± 0,5 % of the pressure range ± 0,5 Pa |
| Temperature drift: | < ± 0,5 % /10 °C |
| Damping: | 0,0...9,9 sec. |
| Output signal: | Two analogue outputs, 0/2...10 VDC, 0/4...20 mA selectable and scalable. Both mA and Volt output can be used simultaneously |
| Ambient temp: | 0...50°C |
| Alarm: | Two separate alarms for high & low level, voltage- free changing relay and alarm indication with red LED and buzzer (joint) |
| Degree of protection: | IP 65, ABS plastic |

| | |
|-----------------------|--|
| EI-connection: | 1 x 2,5 mm ² / terminal |
| Cable entries: | 4 pcs M16x1.5mm (cable glands not included) |
| Dimensions: | WxHxD = 122x120x90 mm |
| Weight: | 0,86 kg |

MAINTENANCE:

Check zero settings every 6:th. month.

ACCESSORIES:

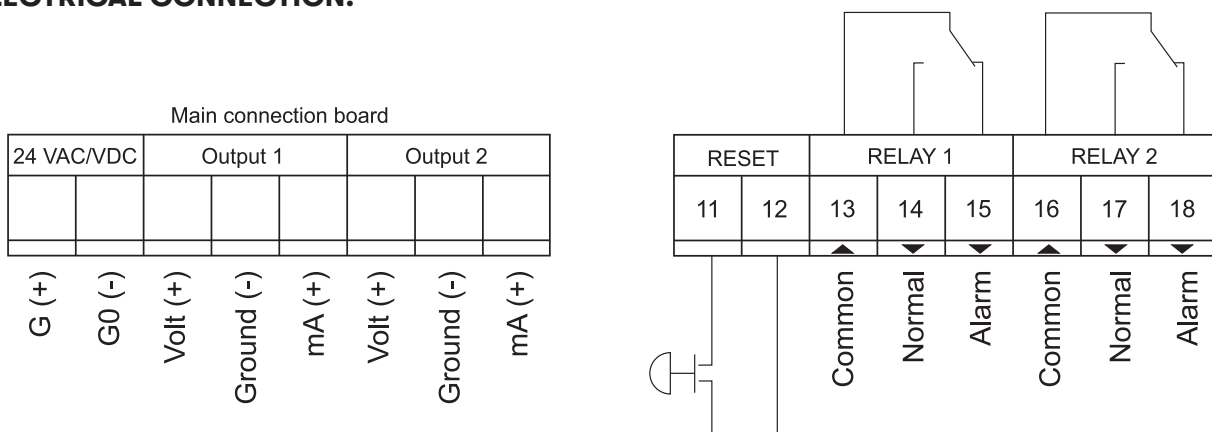
- Modbus RTU data communication module with RS-485 interface
- Module for automatic zero setting
- Separate display unit for remote placement up to 30m beyond main unit. Two separate display units can be connected to the same main unit
- Mounting kit for recessed mounting
- Transformer external 230 VAC
- Mono block valve for manual zero setting and control



CE and UKCA conformity:

AB Micatrone declare under sole responsibility that this product is in conformity with the essential requirements in the CE and UKCA directive at time of sale. The full text of Manufacturers declaration of conformity is available on Micatrones website.

ELECTRICAL CONNECTION:



AB Micatrone
Aldermansvaegen 3
SE-171 48 SOLNA
SWEDEN

Tele: +46-8-470 25 00

Internet: www.micatrone.com

E-mail: info@micatrone.se